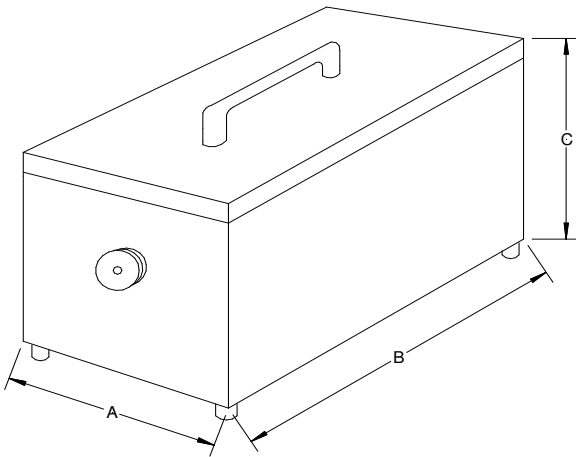


### Single – phase safety transformer

#### 3.8 Type KT 100 – 3600 VA in case grouted

Corresponding to VDE 0100 und VDE 0570/ DIN EN 61558-2-4



**Construction:**

Secondary 230 Volt. Separate windings. Corrosion protection via complete impregnation. Insulation class T40E. Fractional casting resin.

Protection class II. Portable case with cable connection and mains plug with cut-out switch. Secondary 1x electrical outlet.

Type	Power VA	Design size Core	Copper weight kg	Total Weight Kg	Dimensioning		
					A mm	B mm	C mm
KT 010	100	EI 84a	0.38	2.5	165	295	160
KT 020	200	EI 105	0.90	4.7	165	295	160
KT 032	320	EI 120	0.90	6.7	200	280	200
KT 050	500	EI 135	1.60	8.2	200	280	200
KT 063	630	EI 135	1.80	9.7	200	280	200
KT 080	800	EI 150N	2.30	16.1	200	380	200
KT 100	1000	EI 174	2.60	14.9	200	380	200
KT 160	1600	EI 174	3.50	23.7	200	380	200
KT 200	2000	UI 132	4.90	28.1	220	360	530
KT 250	2500	UI 150	7.50	32.1	220	360	530
KT 300	3000	UI 150	8.80	40.1	220	360	530
KT 400	4000	UI 168a	11.50	34.1	220	360	530
KT 500	5000	UI 168a	12.80	38.6	220	360	530
KT 630	6300	UI 210a	16.50	66.0	250	380	560