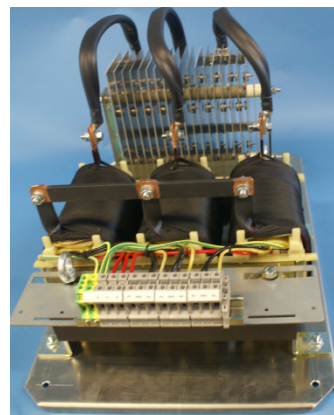
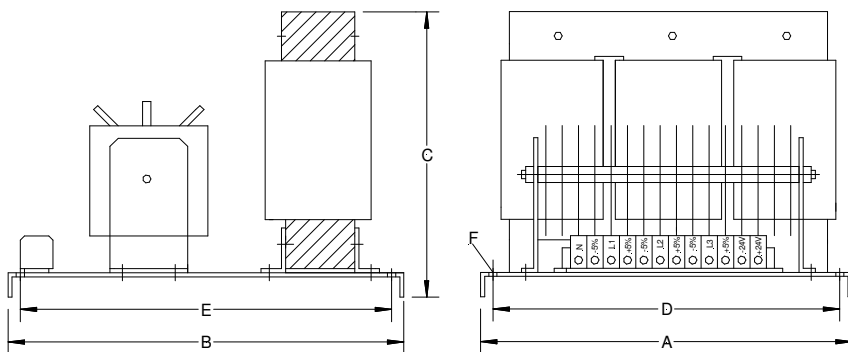


### Three – phase power supply units

#### 8.2 Type DBM 24 V/ 40 – 300 A

Corresponding to VDE 0570/ DIN EN 61558-2-6



**Construction:**

Three- phase power supply unit on mounting plate separate windings. Corrosion protection via complete impregnation. The compactly built-on three – phase power supply units of the model series DBM are characterised by high reliability and operational safety.

**Technical data:**

- Input voltage: 3 x 400 VAC 50/60 Hz
- Output voltage: 24 VDC
- Output current: 40 - 300 A (see table)
- Ripple: < 3 %
- Cooling: Convection fitting position in the direction of convection
- Operating mode: Continuous duty
- Insulation class: T40E
- Ambient temperature: Max. 40°C
- Type protection: IP 00 suitable for installations up to IP 23

Type	Output current	Design size	Copper weight	Total weight	Dimensioning					
					A	B	C	D	E	F
	A	Core	kg	kg	mm	mm	mm	mm	mm	mm
DBM 2440	40	3UI90	4.9	147	260	460	250	230	430	6.8
DBM 2460	60	3UI114	8.5	22	300	460	260	270	430	6.8
DBM 2480	80	3UI132	9.4	28	300	460	260	270	430	6.8
DBM 24100	100	3UI132	12	37	340	550	300	310	520	6.8
DBM 24120	120	3UI132	15	42	340	550	300	310	520	6.8
DBM 24160	160	3UI132	12	51	340	550	300	310	520	6.8
DBM 24200	200	3UI150	17	59	340	550	300	310	520	6.8
DBM 24250	250	3UI180	21	63	450	550	480	410	520	11.0
DBM 24300	300	3UI210	25	80	450	550	480	410	520	11.0

Higher output currents and other voltages on request.