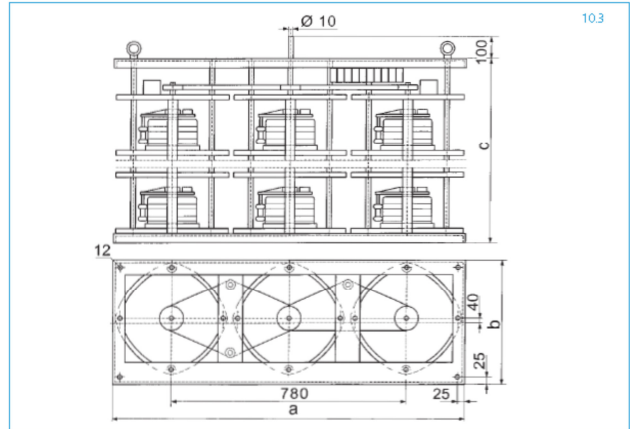
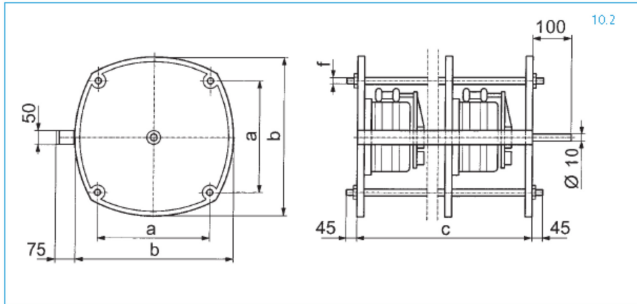


Toroidal regulator transformer

11.4 Type YR Three – phase with economy winding



Input 3x 400 / 230 V Output 3x 0 – 400 / 230 V		Input 3x 400 / 230 V Output 3x 0 – 450 / 260 V		Design size	Copper weight	Total weight	Outline drawing	Dimensioning			
Type	Current	Type	Current					a	b	c	f
	A		A		kg	kg	No.	mm	mm	mm	mm
YR 400/18	18	YR 450/15	15	3-G0045	5.10	31	10.2	178	240	550	M10
YR 400/25	25	YR 450/20	20	3-G0050	8.00	51	10.2	249	335	500	M10
YR 400/32	32	YR 450/25	25	3-G050	10.20	56	10.2	249	335	500	M10
-	-	YR 450/32	32	3-G055	11.60	67	10.2	249	335	500	M10
YR 400/40	40	YR 450/36	36	3-G060	16.10	80	10.2	249	335	670	M10
YR 400/50	50	YR 450/40	40	3-G065	16.70	106	10.2	249	335	1100	M12
YR 400/60	60	YR 450/50	50	3-G55	21.20	114	10.2	249	335	1100	M12
-	-	YR 450/64	64	3-G70	24.30	129	10.2	249	335	1100	M12
YR 400/80	80	-	-	3-G180	32.70	150	10.2	249	335	1400	M12
YR 400/90	90	YR 450/75	75	3-G260	31.60	220	10.3	1200	500	810	
-	-	YR 450/90	90	3-G265	36.90	255	10.3	1200	500	810	
YR 400/120	120	-	-	3-G270	46.00	277	10.3	1200	500	975	
-	-	YR 450/120	120	3-G375	49.50	325	10.3	1200	500	980	
YR 400/160	160	YR 450/140	140	3-G375	68.00	365	10.3	1200	500	1200	

Related equipment just as control knobs motor drives scales and spare parts need to be special ordered. More types on request.