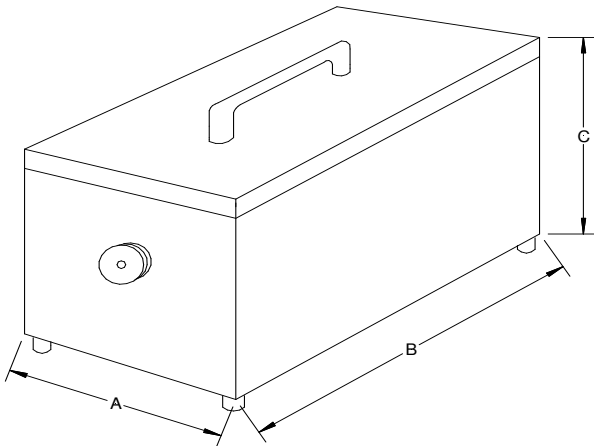


Single – phase safety transformers

3.7 Type SK 63 – 3000 VA in portable case

Corresponding to VDE 0570/ DIN EN 61558-2-6



Construction:

Secondary 24 Volt or 42 Volt. Separate windings. Corrosion protection via complete impregnation. Insulation class T40E.

Protection class III. Portable case with cable connection and mains plug with cut-out switch. Secondary 1x CEE electrical outlet.

As hand lamp transformer available up to 630 VA.

Type	Power VA	Design size Core	Copper weight kg	Total weight kg	Dimensioning		
					A mm	B mm	C mm
SK 006	63	EI 78	0.38	2.1	165	295	160
SK 010	100	EI 84a	0.45	2.5	165	295	160
SK 016	160	EI 105	0.80	4.2	165	295	160
SK 020	200	EI 105	0.90	4.7	165	295	160
SK 032	320	EI 120	0.90	6.7	200	280	200
SK 050	500	EI 135	1.60	8.2	200	280	200
SK 080	800	EI 150N	2.30	16.1	200	280	200
SK 100	1000	EI 174	2.60	14.9	200	280	200
SK 160	1600	EI 174	3.50	23.7	200	280	200
SK 200	2000	EI 132	4.90	28.1	220	360	530
SK 250	2500	EI 150	7.50	32.1	220	360	530
SK 300	3000	EI 150	8.80	40.1	220	360	530