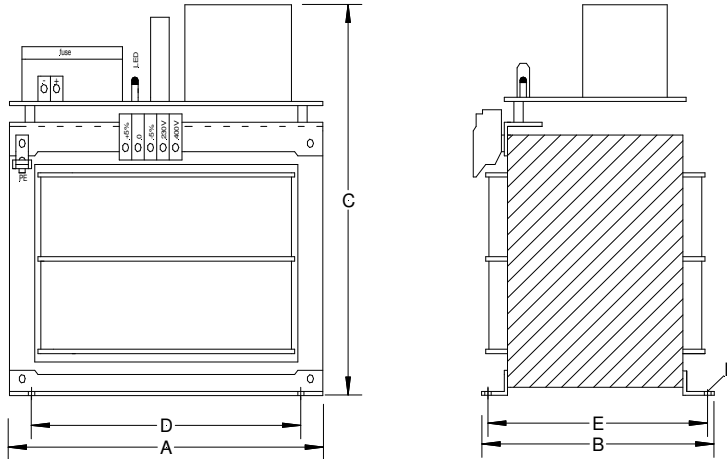


7. Single – phase power supply units

7.1 Type TEGT 24 V/ 1.5 - 3A smoothed

Corresponding to VDE 0570 DIN EN 61558-2-6



Construction:

The unregulated compactly constructed single – phase power supply units of the model series TEGT was especially generated for the switch cabinet construction. These rectifier units are characterised by high reliability and operating safety.

The configuration occurs with bridge-rectification smoothing capacitor protection circuit and secondary cut-out switch. All these components are installed on a conductor plate. If desired the devices are also available with a snap-on mounting.

Technical data:

Input voltage:	230/400 VAC 50/60 Hz
Output voltage:	24 VDC (other tensions on request)
Output current:	1.5 - 3 A (see table)
Differential protection:	Cut-out switch
Protective circuit:	Varistor
Ripple:	< 5%
Cooling:	Convection
Operating mode:	Continuous duty
Insulation class:	T40E
Ambient temperature:	Max. 40°C
Type protection:	IP 00 suitable for installations up to IP 23
Primary pin:	Transformer terminals
Secondary pin:	Printed terminals
Operation display:	LED

Type	Power	Output current	Dimensioning					
			A	B	C	D	E	F
	W	A	mm	mm	mm	mm	mm	mm
TEGT 35	36	1.5	78	75	106	56	46	M4
TEGT 55	53	2.2	78	75	106	56	46	M4
TEGT 75	72	3.0	85	75	123	64	47	M4