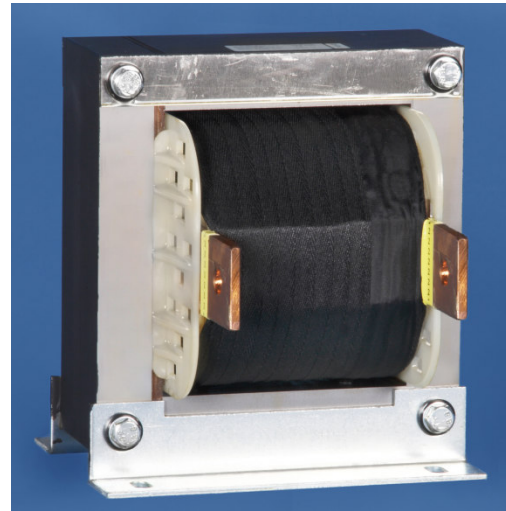
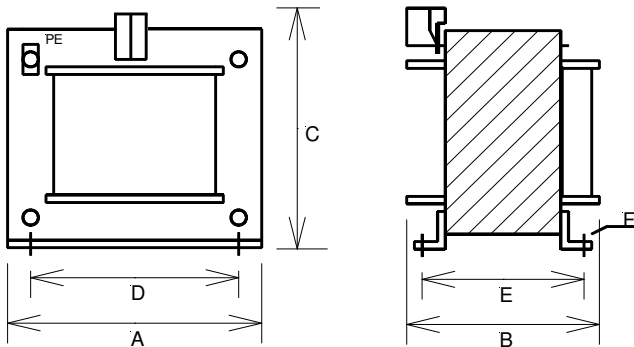


12.1 Type KDE Single - phase mains commutating choke



Construction:

Mains voltage 230 or 400 V Uk = 4 %

Frequency 50 ... 400 Hz

Type protection IP 00 suitable for installations up to IP 23. VBG 4

Fixed with angle irons

Corrosion protection via complete impregnation.

Connecting elements comply with amperage. Up to 160 A clamp terminal more than 160 A

CU - connecting links.

Type	Tension V	I max A	Copper Weight kg	Total Weight kg	Dimensioning					
					A mm	B Mm	C mm	D mm	E mm	F mm
BV2304-0016-E	230	16.0	0.18	1.4	78	96	87	56	53	4.8x9
BV2304-0020-E	230	20.0	0.26	1.4	84	89	92	64	46	4.8x9
BV2304-0025-E	230	25.0	0.30	1.7	84	98	92	64	55	4.8x9
BV2304-0031-E	230	31.5	0.51	2.4	96	95	104	84	59	5.8x11
BV2304-0040-E	230	40.0	0.47	2.8	96	105	104	84	69	5.8x11
BV4004-0010-E	400	10.0	0.21	1.4	78	96	87	56	53	4.8x9
BV4004-0012-E	400	12.5	0.23	1.6	84	98	92	64	55	4.8x9
BV4004-0016-E	400	16.0	0.37	2.3	96	95	104	84	59	5.8x11
BV4004-0020-E	400	20.0	0.42	2.8	96	105	104	84	69	5.8x11
BV4004-0025-E	400	25.0	0.52	3.6	96	119	104	84	83	5.8x11
BV4004-0031-E	400	31.5	0.70	4.0	120	101	123	90	69	5.8x11
BV4004-0040-E	400	40.0	0.89	5.1	120	113	123	90	81	5.8x11
BV4004-0050-E	400	50.0	0.93	6.7	120	133	123	90	101	5.8x11
BV4004-0061-E	400	61.0	1.20	7.5	150	109	149	122	83	7x13